

Shopping List

Since lumber can be purchased in different sizes the shopping list will vary.

5 – 2x6 – 8'

3 – 2x4 – 8'

3" deck screws

2 3/4" finishing nails

Cutting List

4 – 2x4 – 1' 10"

4 – 2x4 – 1' 7"

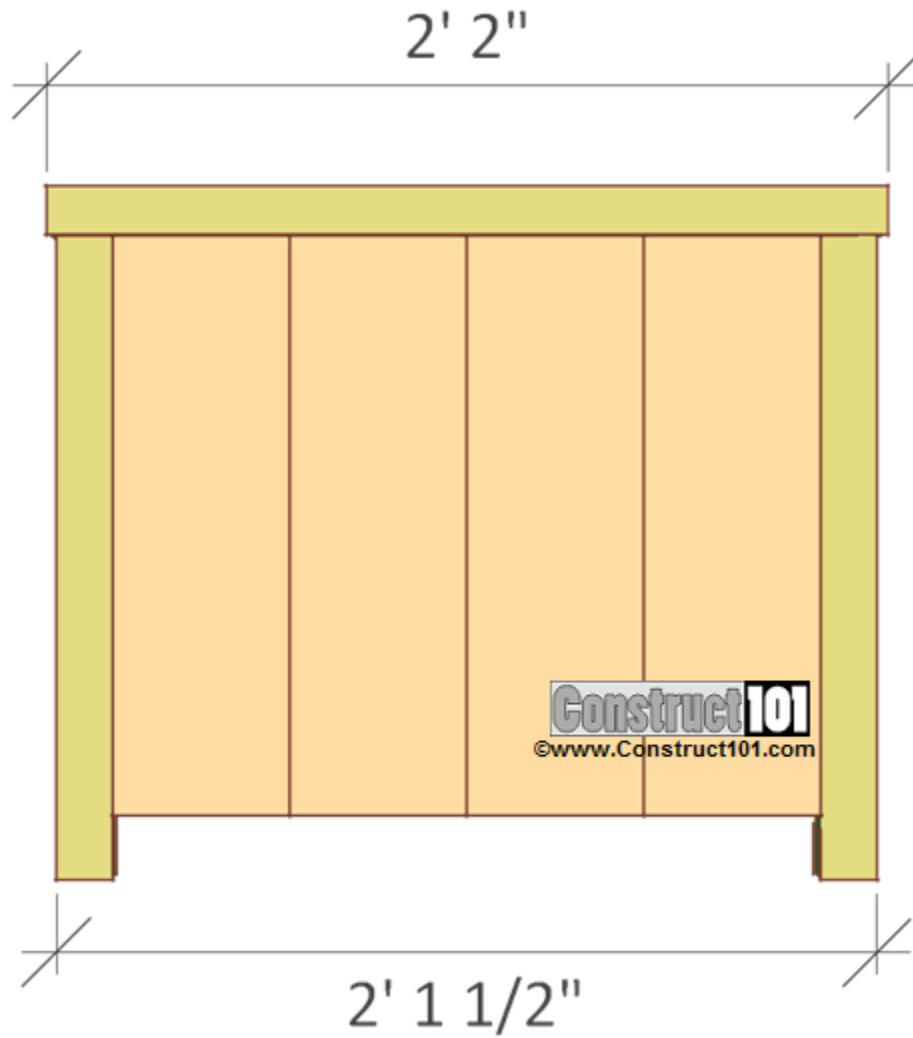
4 – 2x6 – 1' 10"

16 – 2x6 – 1' 6"

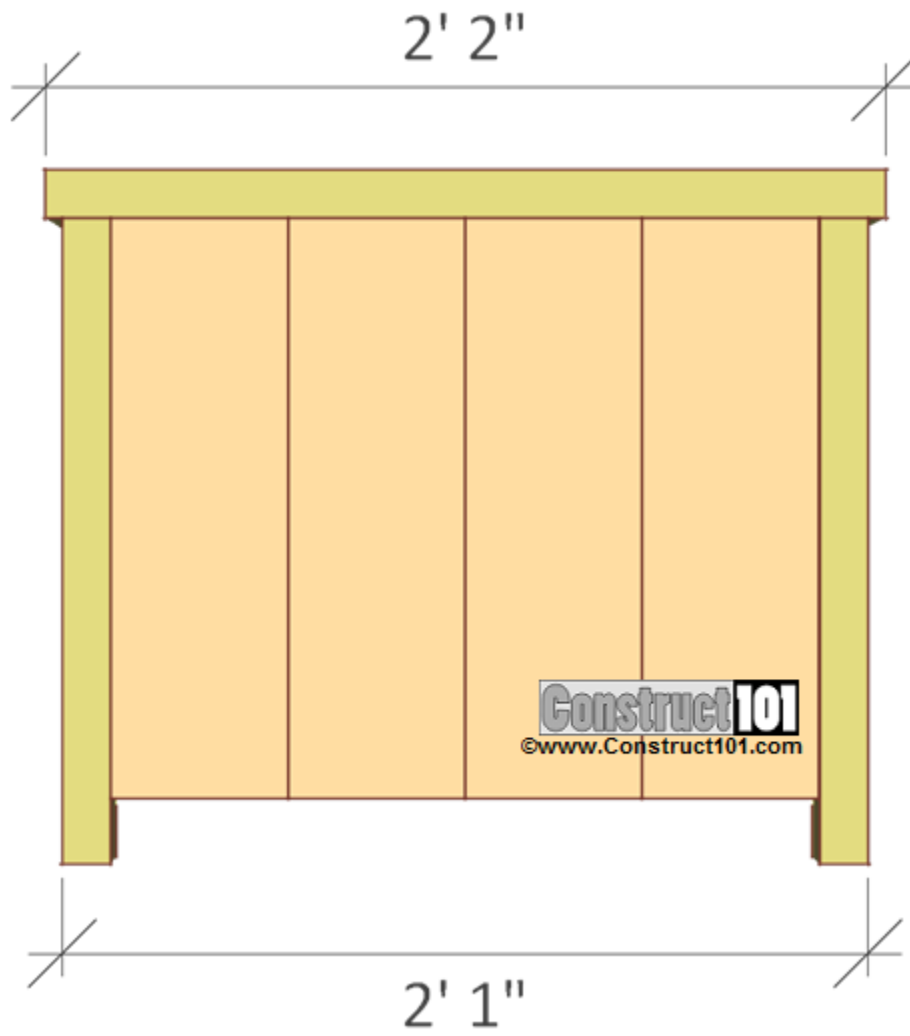
4 – 2x4 (ripped in half) – 1' 8"

4 – 2x4 – 2' 2"

Planter Box Overview

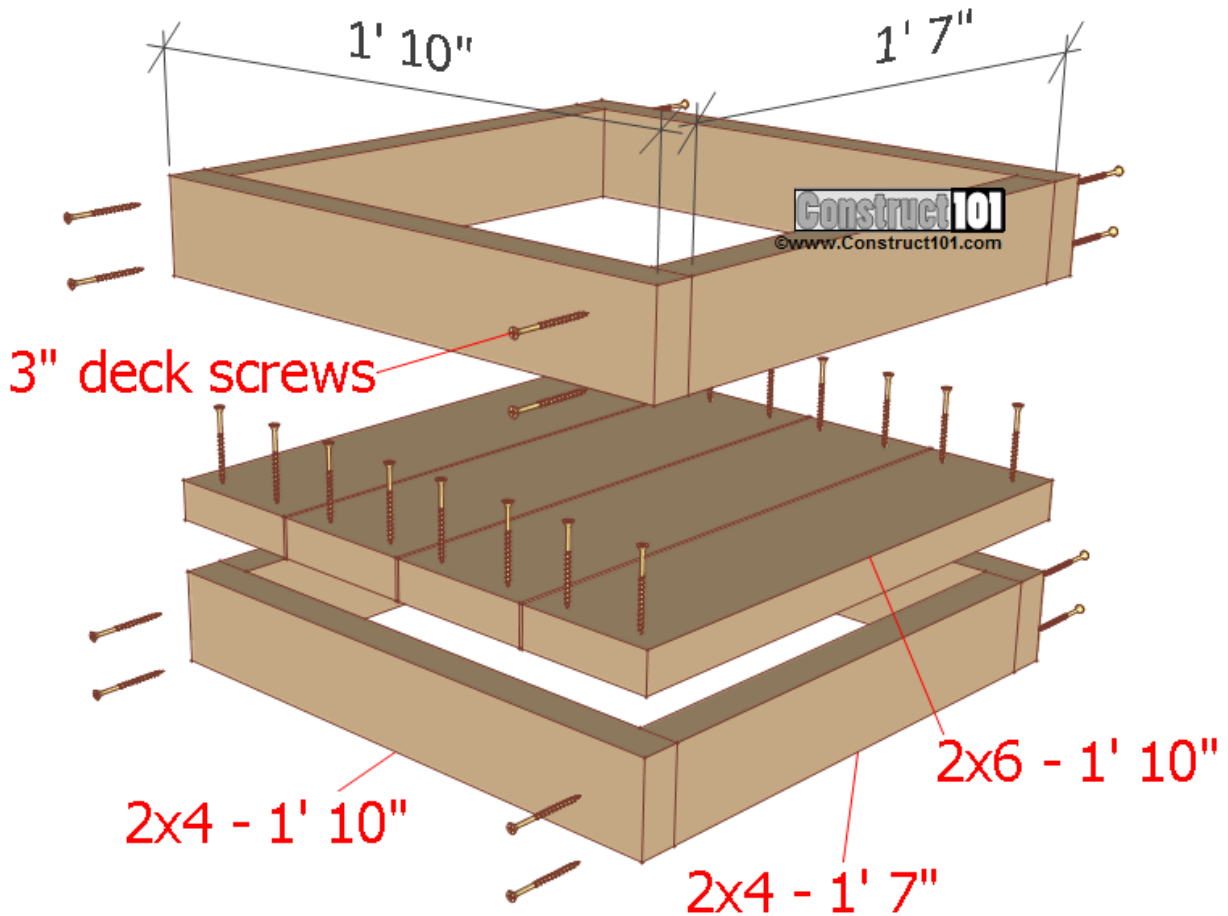


View of front and back. Planter measures 2' 1 1/2" on bottom and 2' 2" on top.



The right and left side of the planter box measures 2' 1" on the bottom and 2' 2" on the top.

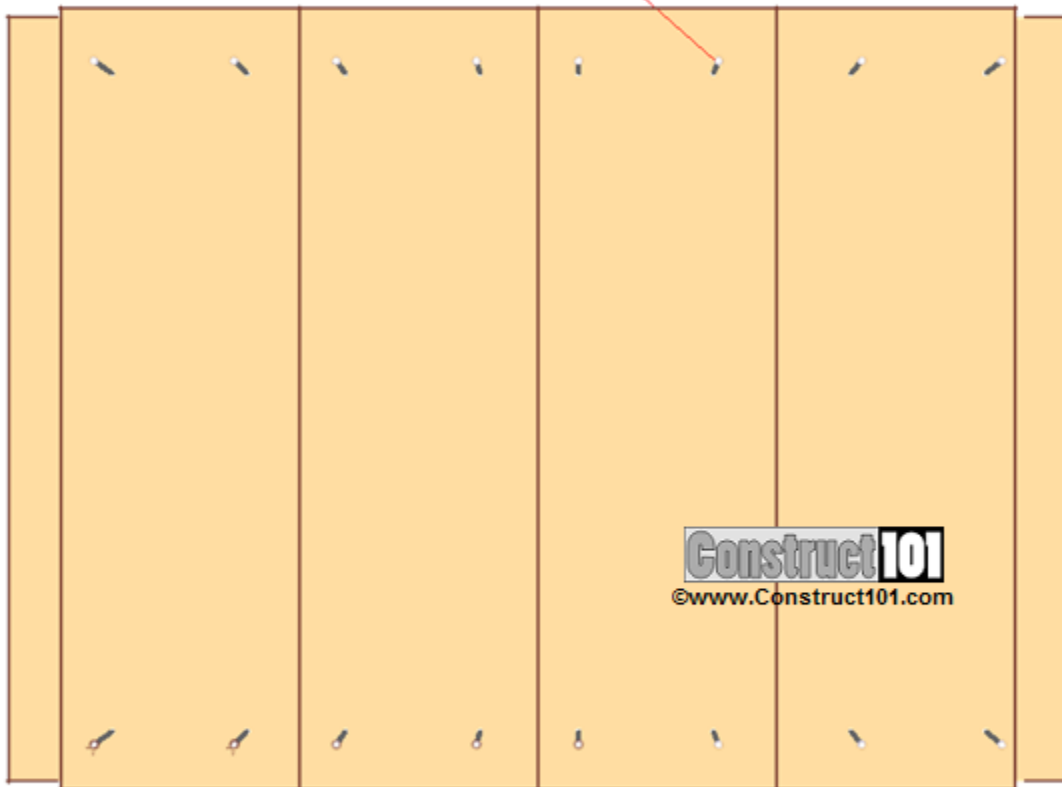
Planter Box Drawings and Building Details



- Cut four 2x4's to 1' 10"
- Cut four 2x4's to 1' 7"
- Cut four 2x6's to 1' 10" gap the 2x6 boards 1/8", one of the 2x6 will need to be ripped to 5 1/8".

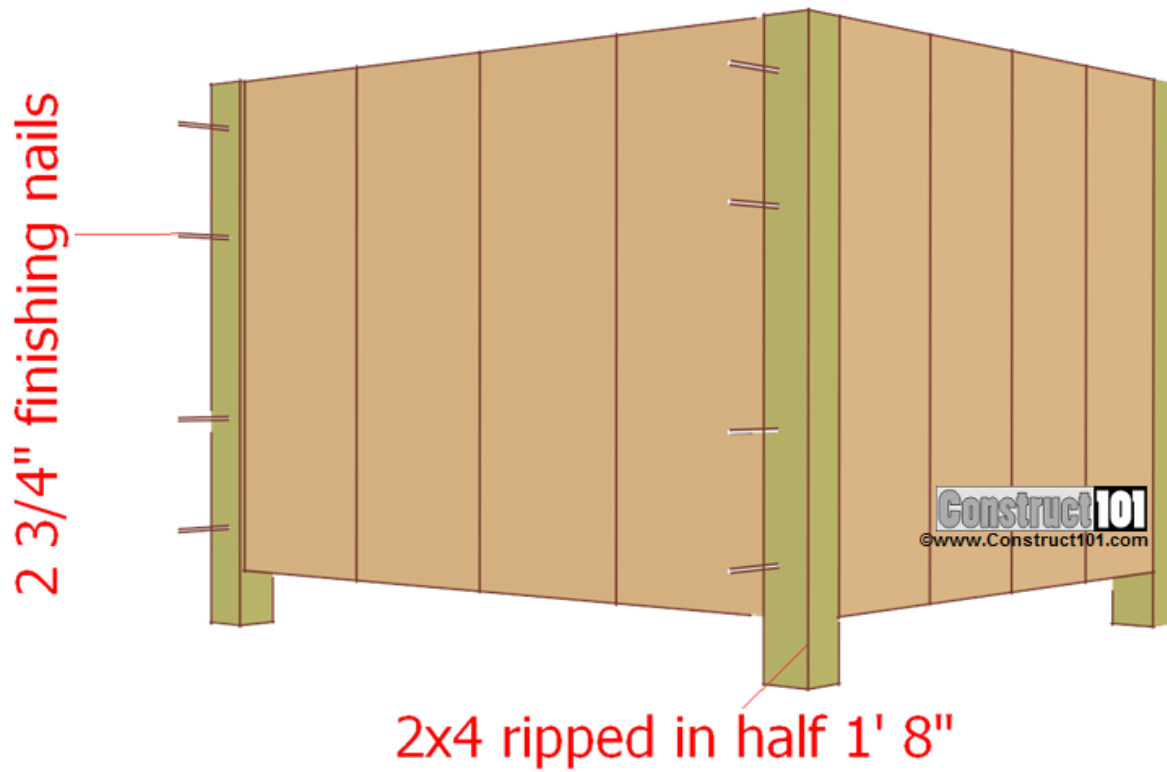
Assemble as shown on drawing above using 3" deck screws.

2 3/4" finishing nail

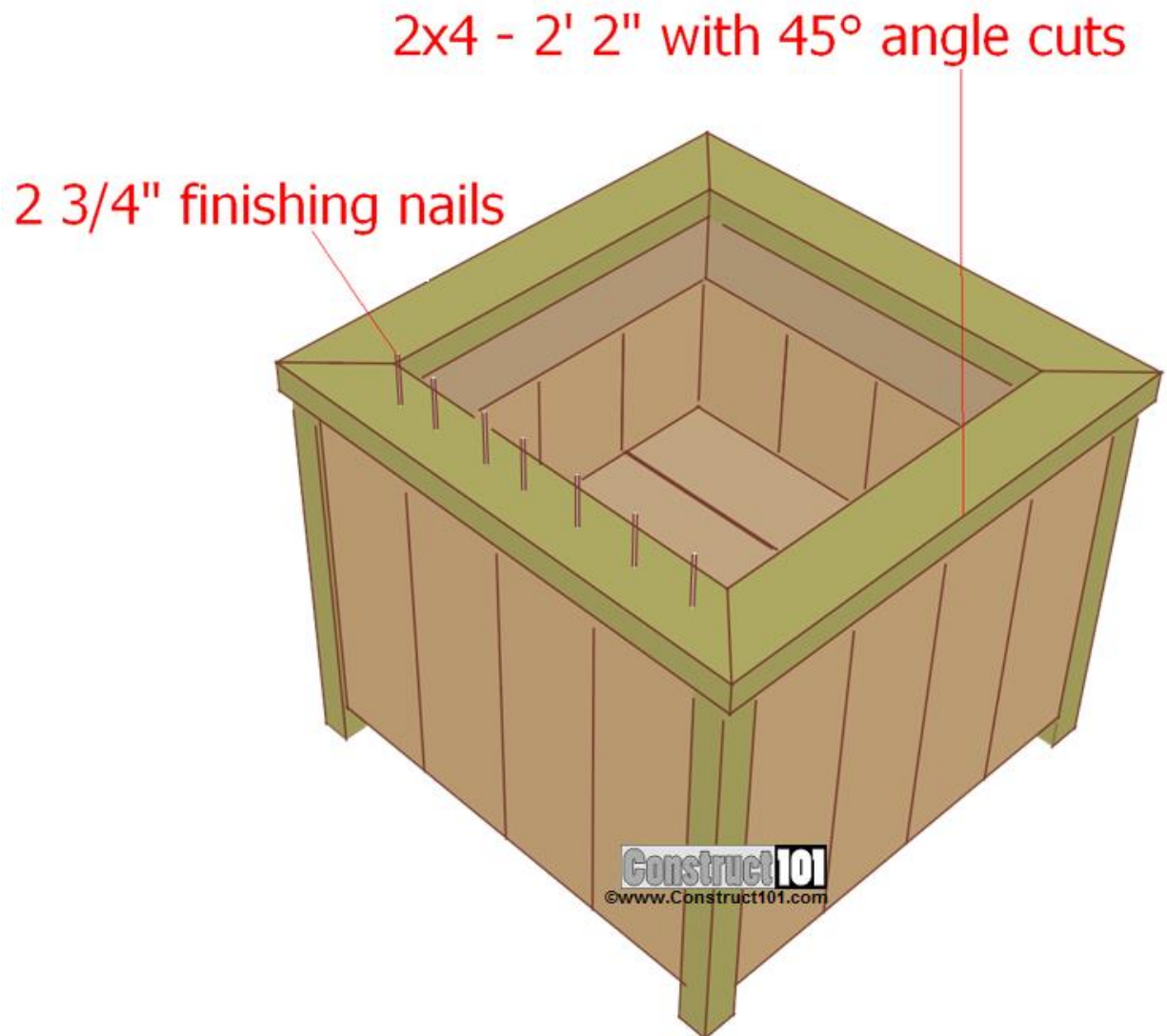


2x6 - 1' 6"

Cut sixteen 2x6's to 1' 6" and install to the front, back, and sides with 2 3/4" finishing nails.



Rip a 2x4 in half and cut four pieces to 1' 8". Install as shown on drawing above using 2 3/4" finishing nails.



Cut four 2x4's to 2' 2", cut 45 degree angel cuts on both ends facing the opposite direction. Install the 2x4 trim using 2 3/4" finishing nails as shown on drawing above.